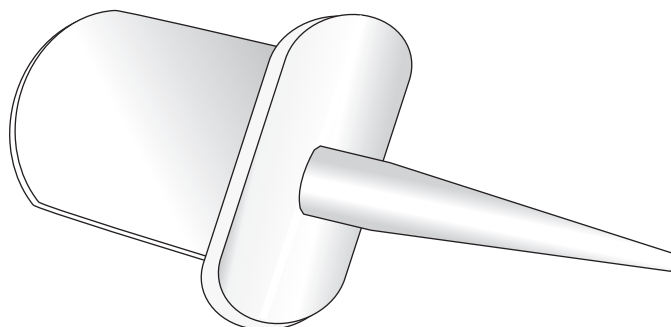


Meatal Dilator

The Mediplus Meatal Dilator is purpose designed for patient use to dilate the external urethral meatus or a Mitrofanoff stoma.

This new product is made from solid polyurethane and tapers down from a size of 15Fr. to 6Fr. at the tip.

Designed in association with Bristol Urological Institute, it is flexible enough not to be likely to cause trauma and to configure to the direction of the urethra or Mitrofanoff tube. However, it is rigid enough to allow the patient to handle the dilator with ease.



Code	Product Description	Pack Quantity
5640	Meatal Dilator (<i>Latex Free</i>)	10