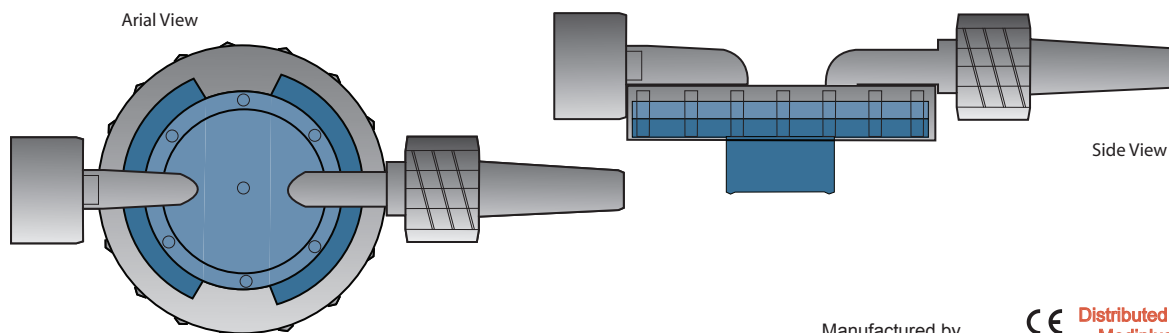


Transducer Pressure Domes

To complete the range of urodynamics products available from Mediplus, we now offer several popular pressure transducer domes.

The MX848 - Novatrans® II disposable dome with male/female luer lock is a hygienic, cost effective solution with its disposable dome, easy to use “snap-grid” coupling and high precision measurement. The main feature of the MX848 is that it has no liquid between the transducer and the dome diaphragms.

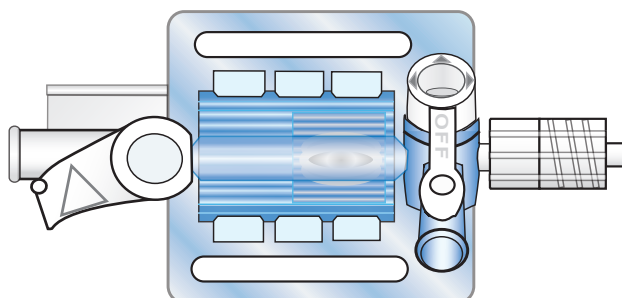


Manufactured by
Smiths Medical International

CE 0086
Distributed by
Mediplus

Also available with two stopcocks - order code MX848X2SC.

The MX950X2SC - Transtar disposable pressure dome transducer with 2 stopcocks is designed for use with the Medex clamp and modular plating system.



Manufactured by
Smiths Medical International

CE 0086
Distributed by
Mediplus

| Code | Product Description | Pack Quantity |
|-----------|---|---------------|
| MX848 | Novadome for Novatrans, single-use | 50 |
| MX848X2SC | Novadome for Novatrans with 2 stopcocks, single-use | 25 |
| MX950X2SC | Transtar DPT with 2 stopcocks, single-use | 10 |
| MX960XY | Logical Dome, male/female | 50 |
| MX960XX | DPS Dome, male/female | 50 |
| D-1500 | pvb Hybrid Pressure Dome, single-use | 50 |
| BHT-2000 | Reusable Pressure Transducer | 1 |
| 840-22 | Memscap Dome | 50 |
| 844-28 | Memscap Dome | 50 |
| 844-33 | Memscap AS | 50 |